

Articolo / Article

COD.

Vaso Form H50 traslato  
Wc Form H50 floor trap with plastic adjustable flush system.



Bianco Europa / Europa White

22271101

Colorato / Coloured

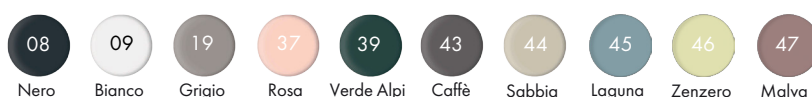
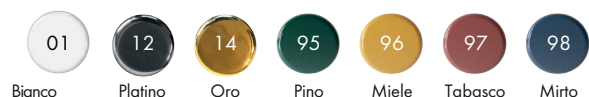
Specificare il colore al momento dell'ordine

Specify the color when ordering

222711..

Lucidi / Shiny

Opachi / Matt

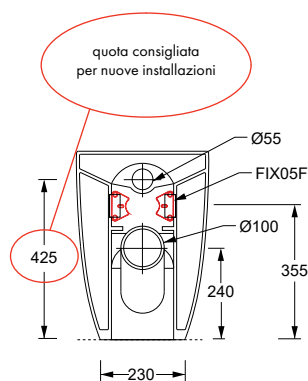
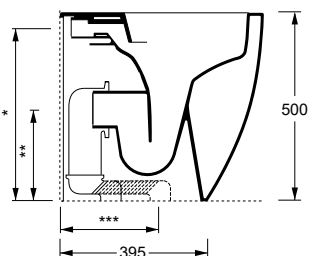
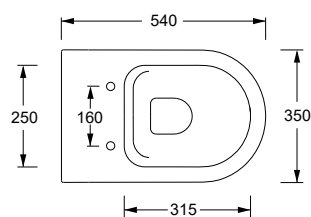


cm 54X35xh50

kg 29,5

pallet ita 15

pallet ex 25



\* entrata acqua con eccentrico

MCUT5
mm 440 o mm 410

\*\* scarico a parete con eccentrici

MCUT2	MCUT4	MCUT8
da 60 mm a 170 mm	210 mm	180 mm

\*\*\* scarico a terra con eccentrici

MCUT3	MCUT	MCUT3 + MCUT2
da 60 mm a 70 mm	100 mm	da 130 mm a 300 mm

curva consigliata per nuove installazioni  
MCUT8

curva consigliata per nuove installazioni  
MCUT

TECNICAL SHEET n°: 21	DESIGNER: MASSIMILIANO BRACONI	CODE: 22271101
SHEET FORMAT: A4	ISO	REVISION: 00
REGULATION: EN 997 / EN 33 / Dop- 997*	SCALE: 1:20	DATE: 28/11/2024
All the measurements respect the tollerances provided by the Alice Ceramica srl.		Pg: 1/2

Alice Ceramica srl  
Via Sassacci, 17 - 01033  
Civita Castellana (VT), Italy  
Tel [+39] 0761.598.328 [+39] 0761.513.252  
Fax [+39]0761.540.352  
www.aliceceramica.com - info@aliceceramica.it



## ACCESSORI / Accessories



Sedile cerniere cromo  
Form termosetting chrome seat cover

COD.  
MC2201E



Sedile cerniere cromo soft-close  
Seat cover with softclose hinges

COD.  
MC2201ES



Fissaggio per vaso/bidet sgancio rapido  
Fixing screws for WC/bidet quick release

COD.  
FIX05F



Raccordo eccentrico per entrata acqua  
eccentric fitting for water inlet

COD.  
MCUT5



Raccordo eccentrico per scarico a parete  
eccentric fitting for wall drain

COD.  
MCUT8



Curva in plastica fissa  
Standard plastic pipe fitting

COD.  
MCUT



Curva tecnica regolabile  
adjustable plastic pipe

COD.  
MCUT2



Curva tecnica 90° con fissaggio  
90° plastic pipe with fixing

COD.  
MCUT3



Raccordo eccentrico  
eccentric fitting

COD.  
MCUT4

TECHNICAL SHEET n°: 07	DESIGNER: MASSIMILIANO BRACONI	CODE: 22271101	Alice Ceramica srl Via Sassacci, 17 - 01033 Civita Castellana (VT), Italy Tel [+39] 0761.598.328 [+39] 0761.513.252 Fax [+39]0761.540.352 www.aliceceramica.com - info@aliceceramica.it				
SHEET FORMAT: A4	ISO	REVISION: 00				SCALE: 1:20	DATE: 28/11/2024
REGULATION:  EN 997 / EN 33 / Dop- 997*						Pg: 2/2	
All the measurements respect the tollerances provided by the Alice Ceramica srl.							

\* Regulations here shown are exclusively referred to ceramic items

