

Articolo / Article

COD.

Struttura Uni 100 nero matt con cassetto  
BLACK MATT Framework Uni 100 with drawer

Finitura quercia / Oak wooden finish

MSTBN101 ..

Finitura bianco matt / matt white finish

MSTB103 ..

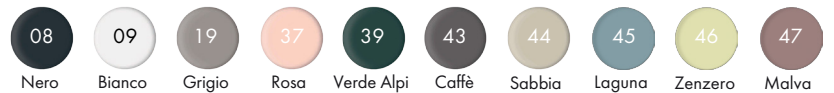
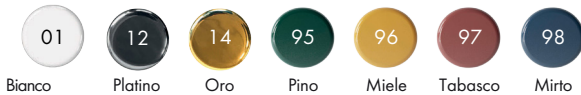
Finitura Nero matt / matt black finish

MSTB102 ..



Lucidi / Shiny

Opachi / Matt

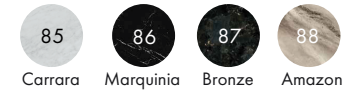


Materia / Materia

Colorato / Coloured

Specificare il colore al momento dell'ordine

Specify the color when ordering



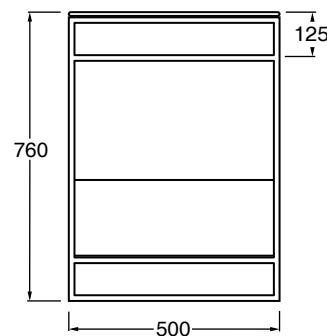
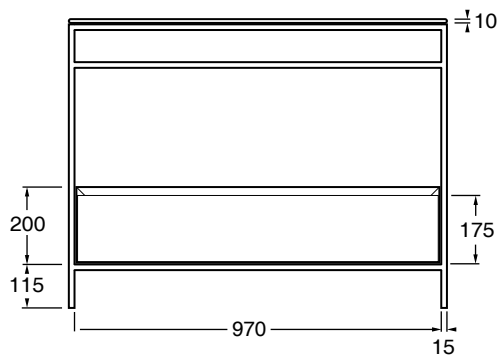
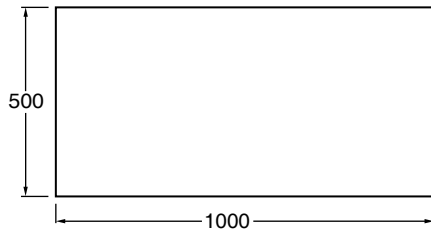
.....::

cm 100x50x76

kg 31

pallet ita

pallet ex



Accessori / Accesories

COD.

COD.



Sifone tondo in ottone finitura cromo  
Round brass siphon chrome finish

SIF01



Sifone tondo in ottone finitura nero matt  
Round brass siphon black matt finish

SIF01N

TECNICAL SHEET n°: 94		DESIGNER: ALICE		CODE: MSTBN10101	
SHEET FORMAT: A4		ISO	REVISION: 00	SCALE: 1:20	DATE: 10/05/2024
REGULATION:				Pg: 1/1	
All the measurements respect the tollerances provided by the Alice Ceramica srl.					

Alice Ceramica srl  
Via Sassacci, 17 - 01033  
Civita Castellana (VT), Italy  
Tel [+39] 0761.598.328 [+39] 0761.513.252  
Fax [+39]0761.540.352  
www.aliceceramica.com - info@aliceceramica.it

